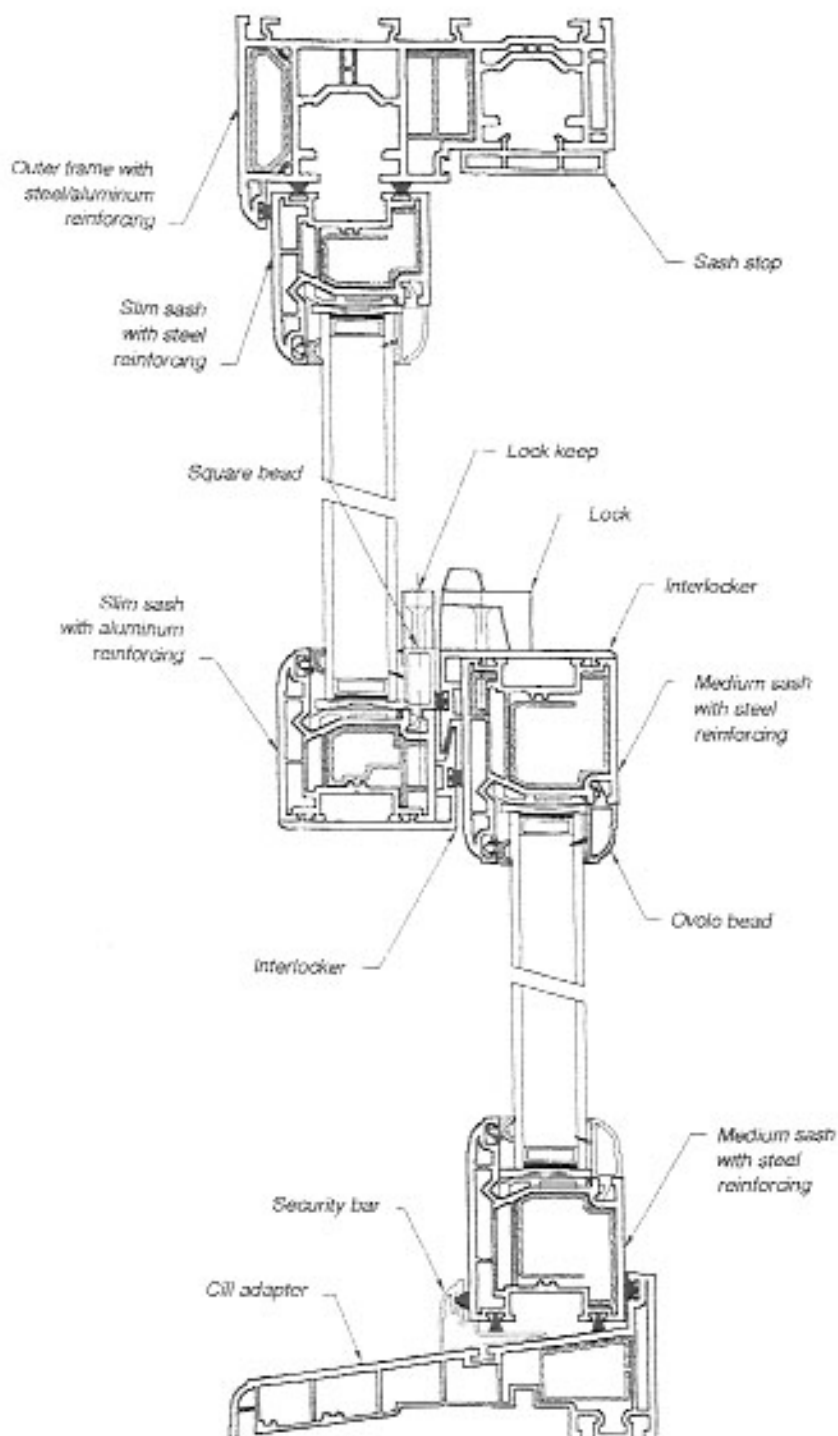
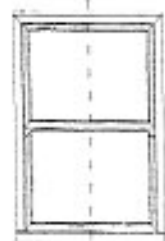


### Standard configuration



# Plastmo

SYSTEM V/S

Lower Farm Road,  
Moulton Park,  
Northampton, NN3 6XF  
Phone (01604) 790780  
Fax (01604) 790110

DATE : 21/08/03

SCALE : -

ISSUE NO. : 3/RP

CAD REF. NO. : V-S 5.1



PAC

6.1

COPYRIGHT: All rights reserved by PLASTMO PROFILES LTD.

TITLE/DRG. NO: CROSS SECTIONS

Technical Services  
Approved

Technical Manager

Senior Technician